

Save on kitchen space, oil and labour costs with the filter mate under fryer filter system

Designed to fit under the base system of Anets I4GS.CS fryers, the large filter capacity allows this system to be used with up to four Anets I4GS.CS fryers. Using quick disconnects, the filter is simple to disassemble for cleaning.

Filter intake leaves no oil residue in the tank. Easy to identify handles make filtering a simple process. Filter one fryer while cooking in the others. Promotes longer oil life and a consistent high quality product.

STANDARD FEATURES

- For use with the Anets I4GS.CS Goldenfry fryers (base system)
- Large 46 litre oil capacity
- Easy quick disconnect assembly allowing the filtermate system to be used as a portable filter or oil disposal unit
- Filter intake draws oil from the top and bottom leaving virtually no oil residue
- Safety interlocks shuts off burners to prevent empty frypot from heating
- Can be used as a portable filter (with optional hose assembly)
- Stainless steel open tank is removable for easy cleaning



FM4 I4.GSCS shown with 4 x I4GS.CS fryers



A N E T S
GoldenFry™



Gas Safety
Certified
AS4563
Cert. GSCS20190
SAI Global

ANETS

Imported and distributed
exclusively by:

www.stoddart.com.au
1300 79 1954

 **STODDART**



FILTER MATE SPECIFICATIONS

- Model FM4 I4.GSCS, Filter Mate
- Certification NSF, UL, CUL
- Electrical Requirements 240 V, 50 Hz, 1 Ph, 8 Amps
- Motor **1/3 HP**
- Pump Speed 19 Litres per minute
- Oil Capacity 46 Litres
- Castors 50mm
- Filter Tank Stainless steel

I4GS.CS FRYER SPECIFICATIONS

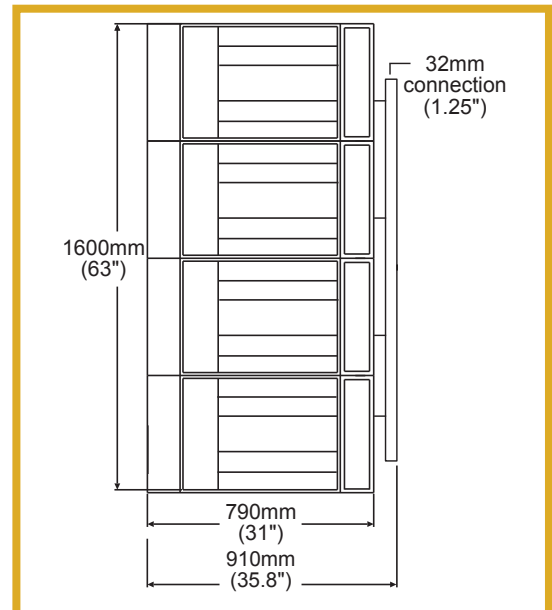
- Model I4GS.CS
- Australian Gas Approval Number GSCS20190 A53563
- Gas Input 508 MJ / Hr
- Gas Pressure NG 0.9 KPA Propane 2.5 KPA
- Gas Connection 1.25" NPT
- Electrical Requirements None
- Thermostats Milli-Volt
- Temperature Range 93° - 200°C (200° to 375°F)
- Hi-limit Safety control turns off main gas supply at 224°C (435°F)
- Safety Pilots 100% gas shut off valve
- Burners Atmospheric pre-mix
- Frypot Stainless steel
- Cabinet Stainless steel door and sides
Stainless steel splashback
- Oil Capacity 20 - 22 litres
- Cooking Capacity 40 kgs of fries per hour per pan
- Cooking Area 35.3 cm x 37 cm (14" x 14.5")
- Warranty 1 year parts and labour
Stainless steel frypot - 10 years

OPTIONS AND ACCESSORIES

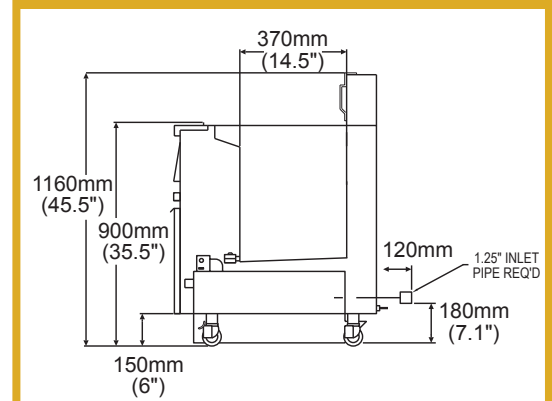
- Hose assembly for oil disposal and converting filter to portable unit
- Cleaning brush
- Filter powder
- Envelope filter paper

STANDARD ACCESSORIES

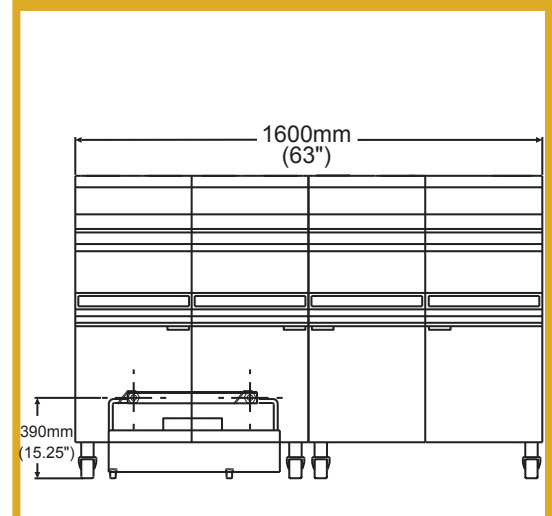
- 100 Filter paper envelopes
- Base fryer/filter system comes with 4 adjustable swivel locking castors



Top View



Side View



Front View

Specification subject to change without notice. Modified 07/15