



Electrolux

Modular Cooking Range Line 700XP 3 Drawer Refrigerated Base

ITEM # _____

MODEL # _____

NAME # _____

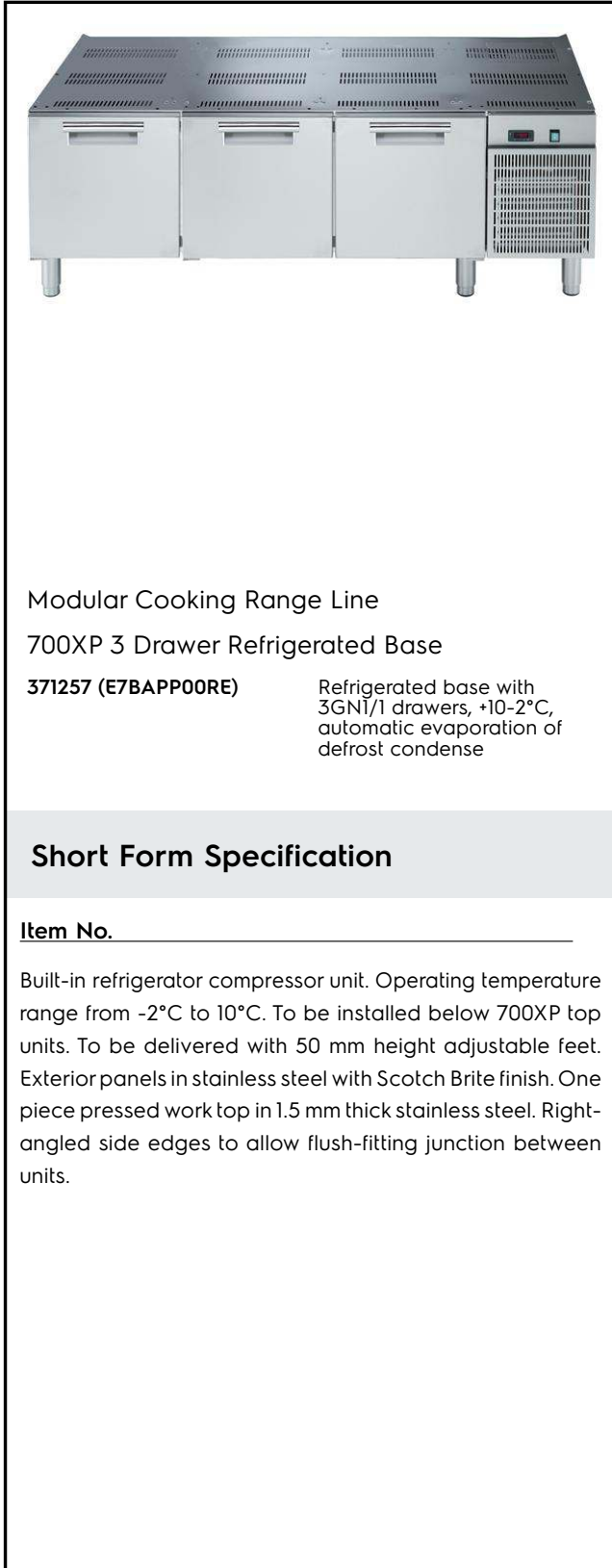
SIS # _____

AIA # _____



Electrolux

Modular Cooking Range Line
700XP 3 Drawer Refrigerated Base



Modular Cooking Range Line
700XP 3 Drawer Refrigerated Base

371257 (E7BAPP00RE)

Refrigerated base with
3GN1/1 drawers, +10-2°C,
automatic evaporation of
defrost condense

Short Form Specification

Item No. _____

Built-in refrigerator compressor unit. Operating temperature range from -2°C to 10°C. To be installed below 700XP top units. To be delivered with 50 mm height adjustable feet. Exterior panels in stainless steel with Scotch Brite finish. One piece pressed work top in 1.5 mm thick stainless steel. Right-angled side edges to allow flush-fitting junction between units.

Main Features

- Unit can be easily installed below other 700 line top models.
- Unit delivered with 50 mm height adjustable feet in Stainless steel.
- Adjustable temperature range from -2 °C to +10 °C to suit meat, fish and dairy storage requirements.
- Forced air circulation for rapid cooling and an even temperature distribution.
- Right angled side edges eliminate gaps and possible dirt traps between units.
- Defrosting and automatic evaporation of condense drain: the condense is automatically evaporated thanks to the electric resistance in the condense drain container.
- GN compliant.
- Designed for modular installation into the cooking block.

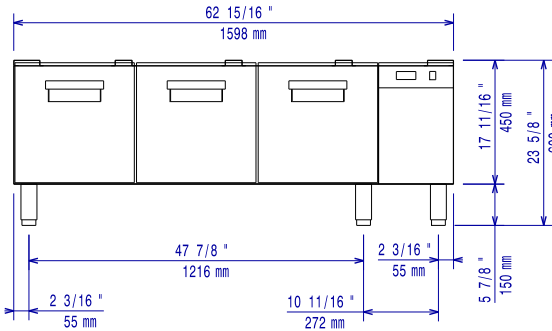
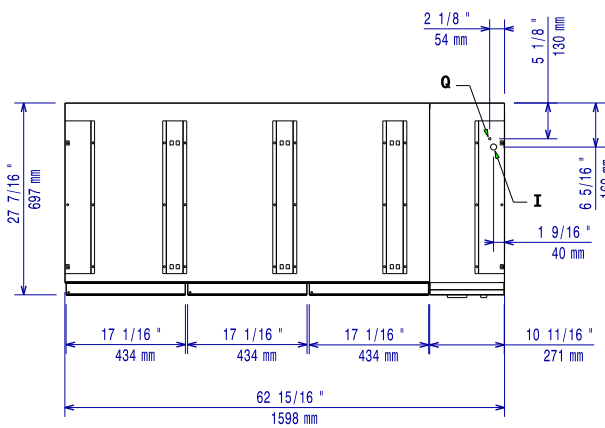
Construction

- Constructed in Stainless steel with Scotch Brite finish to meet the highest hygiene standards.
- Built-in compressor to suit operating conditions.
- Access to all components from the front.
- CFC free (ecological refrigerant type: R404a, - gas in foam: cyclopentane).

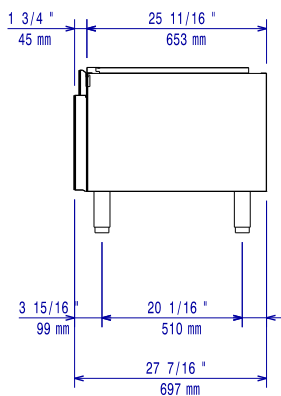
Optional Accessories

- Kit 4 wheels - 2 swivelling with brake - it is mandatory to install base support and wheels PNC 206135
- 2 drawers for refrigerated base PNC 206351
- Base support for feet or wheels - 800mm (700/900) PNC 206367
- Base support for feet or wheels - 1600mm (700/900) PNC 206369
- Base support for feet or wheels (lateral) - to be used with 6 burners on large oven and refrigerated bases PNC 206371

APPROVAL: _____

Front

Top


D = Drain
EI = Electrical connection

Side

Electric

| | | |
|-------------------------------|----------------------------|-------------------|
| Supply voltage: | 371257 (E7BAPP00RE) | 230 V/1N ph/50 Hz |
| Electrical power max.: | | 0.5 kW |
| Total Watts: | | 0.5 kW |

Key Information:

| | |
|-------------------------------------|---------------------|
| Gross capacity: | 240 lt |
| External dimensions, Height: | 600 mm |
| External dimensions, Width: | 1600 mm |
| External dimensions, Depth: | 700 mm |
| Net weight: | 110 kg |
| Shipping weight: | 130 kg |
| Shipping height: | 820 mm |
| Shipping width: | 800 mm |
| Shipping depth: | 1700 mm |
| Shipping volume: | 1.12 m ³ |

Refrigeration Data

| | |
|-----------------------------|-------|
| Refrigerant type: | R404a |
| Refrigeration power: | 510 W |
| Refrigerant weight: | 400 g |