



Electrolux

Warewashing Single Tank Rack Type Dishwasher with Atmospheric Boiler

ITEM # _____

MODEL # _____

NAME # _____

SIS # _____

AIA # _____



Electrolux

Warewashing
Single Tank Rack Type Dishwasher with Atmospheric Boiler



Warewashing

Single Tank Rack Type Dishwasher with Atmospheric Boiler

534048 (ECRT200RB) Single Tank Rack Type Dishwasher with atmospheric boiler, 200 racks/hour. Right to Left - 400V

534049 (ECRT200LB) Single Tank Rack Type Dishwasher with atmospheric boiler, 200 racks/hour. Right to Left - 400V

Short Form Specification

Item No. _____

Unit to be Electrolux single tank rack type dishwasher. Electrical characteristics to be 400V three phase operation. Unit to operate from ___ left to right or ___ right to left. Unit to feature atmospheric built-in boiler system with built-in rinse booster pump thus guaranteeing rinse pressure during rinse cycle. Unit to have two conveyor speeds which can be selected from the control panel by the operator, 200 racks/hour or 100 racks/hour. Maximum water consumption at 200 racks/hour of only 300 lt/hr. Unit to feature large heat and noise insulated front counter balanced door for easy access of internal components. Powerful wash pump and specially designed wash spray arms to guarantee cleaning. Unit to feature as standard end of day self cleaning cycle. Drain of water from the machine can be done through the control panel. Large deep drawn 100 liter wash tank.

Main Features

- Electronic control panel features large display to read wash and rinse temperatures.
- Built-in hot water boiler.
- Built in atmospheric booster system with air break.
- Built in rinse booster pump guarantees constant rinse pressure.
- Speed of conveyor can be set through the control panel by the operator. 110 racks/hr or 200 racks/hr.
- Built-in drain valve in the tank, allows automatic dump and fill without any interruption of the washing process.
- Large counter balanced inspection doors allow unrestricted all round access to the wash and rinse area. Door is insulated with injected foam. This adds strength as well as reduces noise and heat loss.
- Large filters sloping towards the front to the smaller pressed filter box for quick removal. Filters feature holes smaller than the concave anti-block wash nozzles so large food cannot enter and block the wash system.
- Adjustable feet for full access underneath the machine for cleaning.
- Push button self cleaning cycle of the wash and rinse zones for ease of "end of day" cleaning.
- Wash chamber without internal pipes and therefore no hidden dirt traps.
- Self draining wash pumps provide maximum hygiene with no smells and all wash and rinse zones drain automatically at the push of a button.
- Powerful 1.5 kW wash pump.
- Low water consumption. At 200 racks per hour, the machine uses only 300 liters/hr.
- Autostart/stop ensures that the machine runs only when a rack is passing through it. This reduces both water and energy consumption.
- Deep drawn pressed 100 liter wash tank with fully rounded corners, sloped towards the drain to prevent dirt build up provides fast drainage in only a few minutes. Pressed wash tank with no welded points offer a guaranteed water tight solution. (only for 534048)
- Dishwasher structure is held together with a solid 50 x 50 mm stainless steel tube sub-frame to provide long term sturdiness.
- All main components made in heavy duty anti-corrosive 304 type Stainless steel: tanks, front and side panels, wash & rinse arms and caps, doors, front, handle and rack transportation system.
- Wash and rinse arms can be easily removed for cleaning.
- IPX5 water protection.
- Machine predisposed for external detergent and rinse aid connections.

APPROVAL: _____



Electrolux

Warewashing
Single Tank Rack Type Dishwasher
with Atmospheric Boiler

Optional Accessories

- Kit end limit switch for rack type PNC 864138
- Extension hood kit for compact rack type - OVS - Brazil PNC 864383
- Electric hot air blower, 600mm, for compact rack type, right>left (only for 534048) PNC 864384
- Electric hot air blower, 600mm, for compact rack type, left>right - OVS - Brazil (only for 534049) PNC 864385
- Electric drying tunnel, for compact rack type, right>left - OVS - Brazil (only for 534048) PNC 864386
- Electric drying tunnel, for compact rack type, left>right - OVS - Brazil (only for 534049) PNC 864387



Electrolux

Warewashing Single Tank Rack Type Dishwasher with Atmospheric Boiler

Electric

Supply voltage:

534048 (ECRT200RB) 380-415V/3N ph/50 Hz

534049 (ECRT200LB) 380-415V/3N ph/50 Hz

Default Installed Power: 45.5 kW

Reducible Installed Power:*

* When the machine is connected to hot water supply (50-60°C) and run at slow speed. Please refer to the service manual to know how to reduce the power of the machine.

Dishwasher requires only one electrical service connection. Please refer to the information below for Amp requirements.

Total Amp Load: 72A

Total Installed Power: 49.75 kW

Water:

Inlet Water supply pressure:

534048 (ECRT200RB) 22 - 102 psi (1.5 - 7 bar)

534049 (ECRT200LB) 22 - 102 psi (1.5 - 7 bar)

Inlet Cold Water Supply Temperature:

Inlet Water supply hardness: 7-14 °fH

Incoming Cold Water line size: G 3/4"

Cold Water consumption: 300 liters/hr, adjustable on site

Wash Temperature: 55-65 °C

Wash tank size: 100 liters

Wash pump power: 2 1/2 hp (1.5 kW)

Wash tank heating elements: 16 kW

Rinse pump power: 1/2 hp (0.28 kW)

Final Rinse Temperature: 82-90 °C

Hot water booster capacity: 12 liters

Boiler heating elements: 27 kW

Drain line size: 1"1/2

Key Information:

Productivity racks per hour (fast speed): 200 racks/3600 dishes, adjustable on site from 220 racks/3960 dishes to 90 racks/1620 dishes

Productivity racks per hour (slow speed): 100 racks/ 1800 dishes, adjustable on site from 220 racks/3960 dishes to 90 racks/1620 dishes

Table to Table connection: 1125 mm

Number of tanks: 1

Height with door open: 2063 mm

Charging hole size (width): 510 mm

Charging hole size (height): 440 mm

External dimensions, Height: 1784 mm

External dimensions, Width: 890 mm

External dimensions, Depth: 1533 mm

Net weight: 280 kg

Shipping weight: 330 kg

Shipping height: 2060 mm

Shipping width: 1885 mm

Shipping depth: 1035 mm

Shipping volume: 4.02 m³

Noise level: <70 dBA

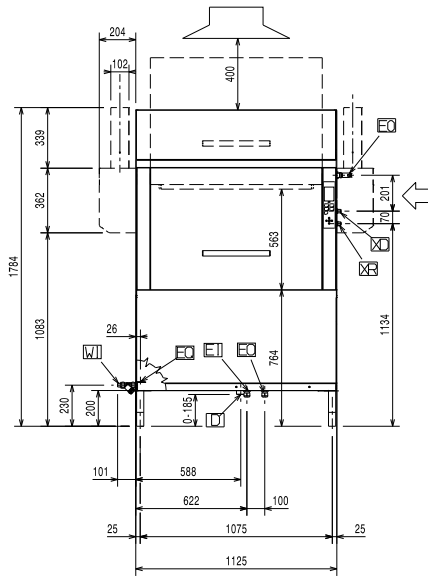
Unit predisposed to accept external detergent dispensers, detergent probes and rinse aid dispensers.



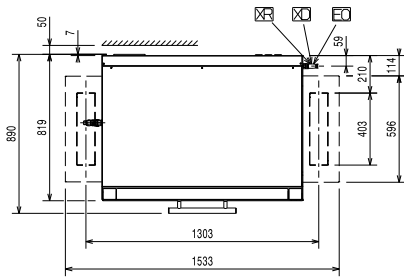
Electrolux

Warewashing Single Tank Rack Type Dishwasher with Atmospheric Boiler

Front

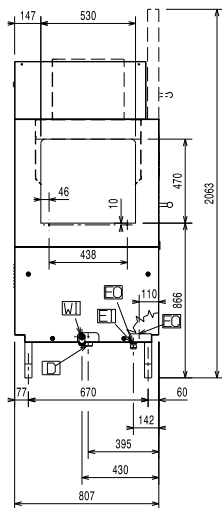


Top

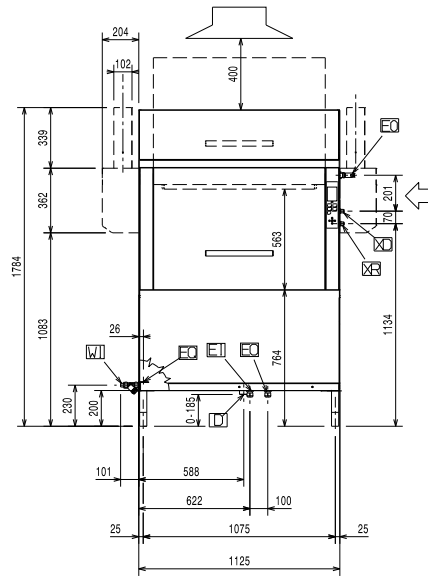


- CWI** = Cold Water inlet
- D** = Drain
- EI** = Electrical connection
- EO** = Electrical Outlet
- EQ** = Equipotential screw
- V** = Air vents
- V** = Vents
- WI** = Water inlet
- XR** = Rinse aid connection

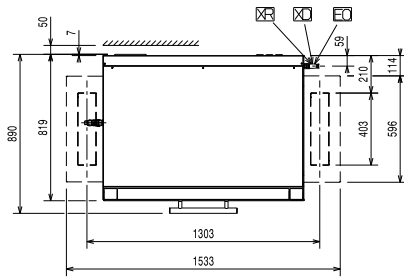
Side



Front

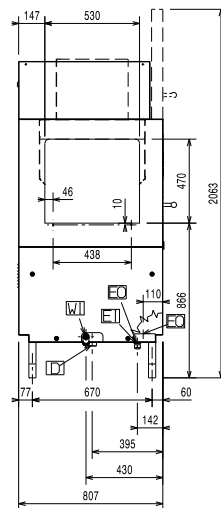


Top



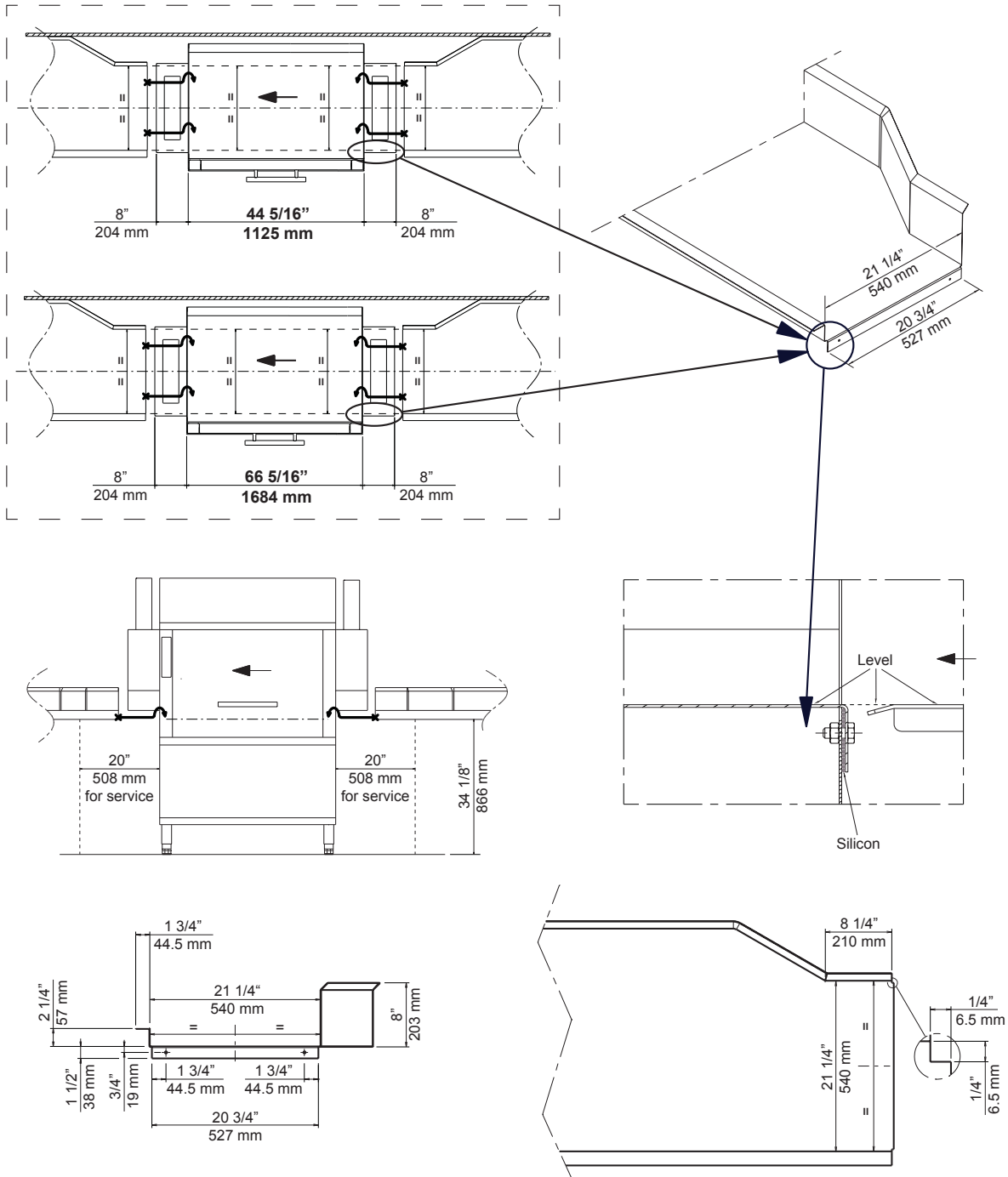
- CWI** = Cold Water inlet
- D** = Drain
- EI** = Electrical connection
- EO** = Electrical Outlet
- EQ** = Equipotential screw
- V** = Air vents
- V** = Vents
- WI** = Water inlet
- XR** = Rinse aid connection

Side





Recommended table connection

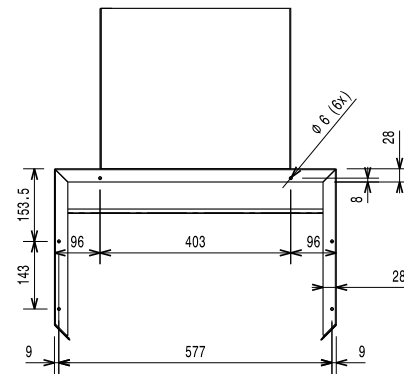
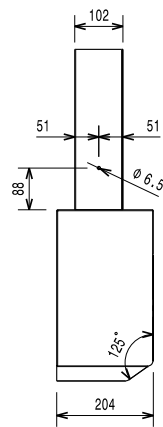
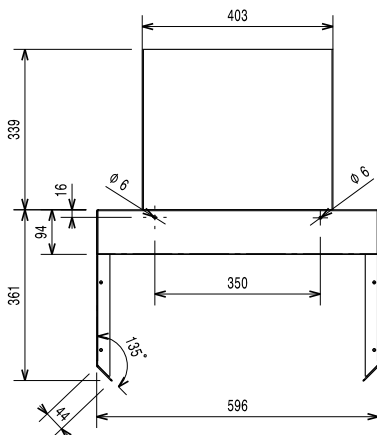
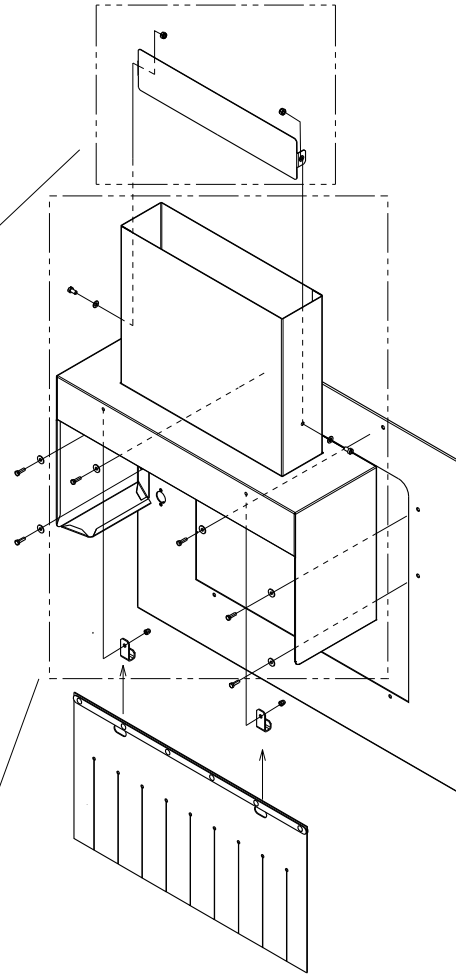
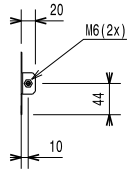
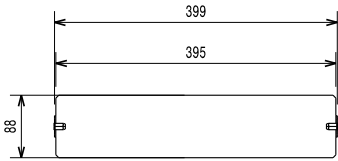
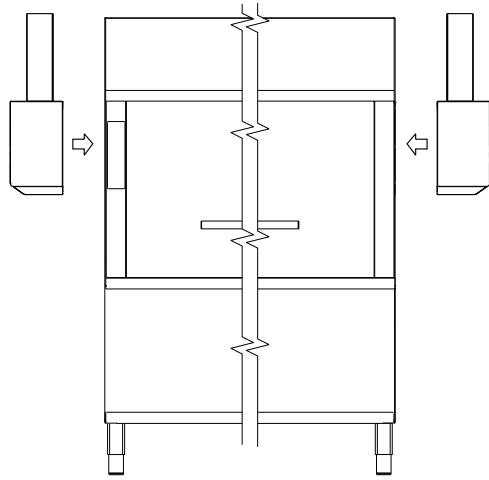


All tables must be connected to the warewashing units according to local regulations and industry standards which may differ from the recommendations herein suggested. Electrolux Professional is not liable for any failure in complying with local design standards.



Electrolux

Warewashing Single Tank Rack Type Dishwasher with Atmospheric Boiler



59566CJ00



**Warewashing
Single Tank Rack Type Dishwasher with Atmospheric Boiler**

The company reserves the right to make modifications to the products without prior notice. All information correct at time of printing.