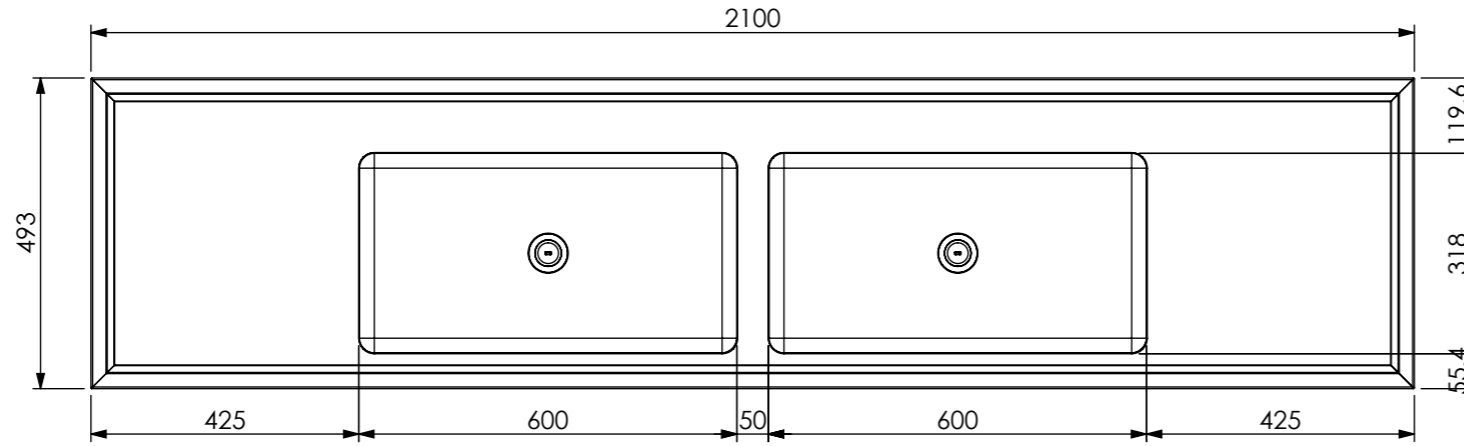
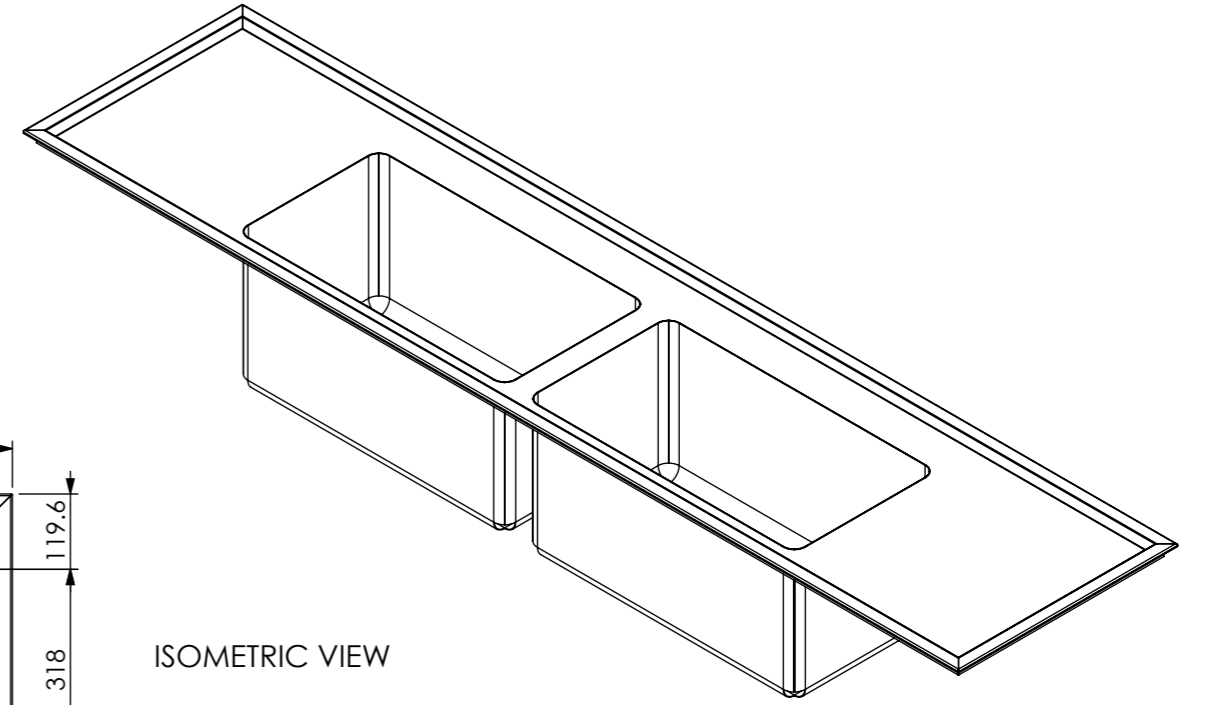


Deck  
 -1.2 304 No 4 S/S  
 Bowl  
 -1.2 304 No 4 S/S 25mm  
 radius corners  $\phi$  50mm  
 plug and waste

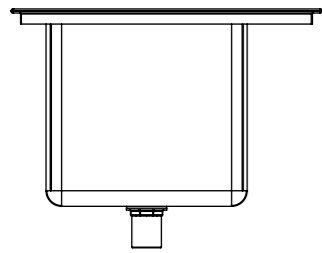
FLAT PACK  
 Some assembly  
 required on site



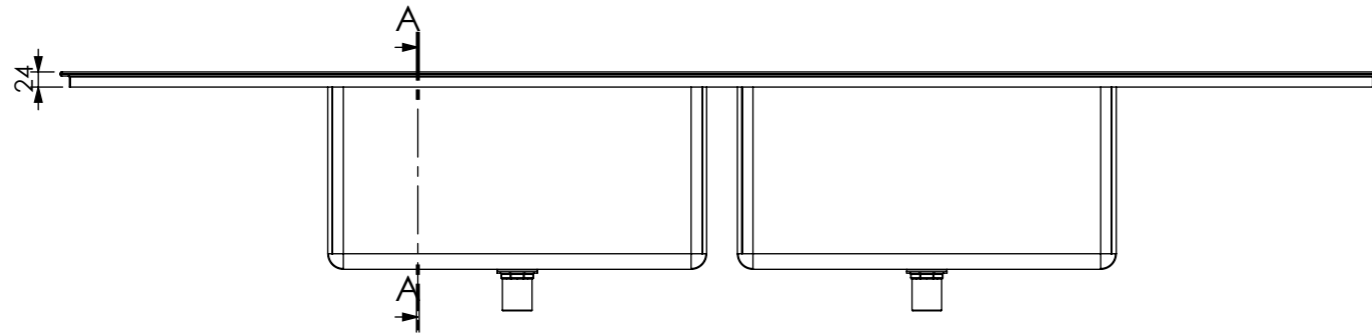
PLAN VIEW



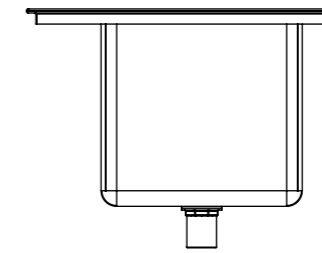
ISOMETRIC VIEW



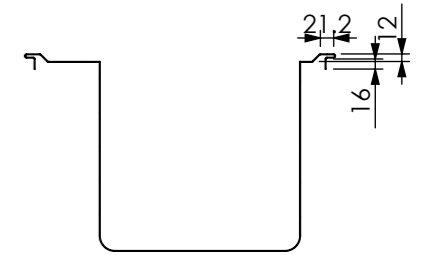
END ELEVATION



FRONT ELEVATION



END ELEVATION



SECTION A-A  
 SCALE 1 : 12



**STODDART  
 MANUFACTURING**

TOM STODDART Pty Ltd ACN 009 690 251  
 149 Jackson Rd Sunnybank Hills Qld 4109  
 PO Box 420 Sunnybank Qld 4109  
 Phone (617) 3345 5011 Fax (617) 3344 1000  
 Email sunnybank@stoddart.com.au  
*Quality in stainless steel*

				PART No: <b>SPPL-BE-DI-48-210-VAR-Rev B</b>	
DRAWN	F Caramat	SIGNATURE	DATE	UNLESS OTHERWISE SPECIFIED: DIMENSIONS ARE IN MILLIMETERS	DESCRIPTION:
APPVD			7/04/2010		
Weight: Surface Area:				MATERIAL:	DWG No: SPPL-BE-DI-48-210-VAR-Rev B
DO NOT SCALE DRAWING				THICKNESS: FINISH:	
This drawing remains the property of Tom Stoddart Pty Ltd & cannot be reproduced without prior permission.				A3	Sheet 1 of 5