

Sandwich Preparation Fridge

The Woodson sandwich preparation fridge combines a refrigerated ingredient well, display and under-counter storage with a preparation area to the rear.



Cool air is blown above and below the produce



Under-bench shelving racks



Fridge doors with easy to clean handles

FEATURES & BENEFITS

- Refrigerated ingredient well with cold air blowing under and over 100mm 1/3GN pans
- Undercounter refrigerator with 2 shelves per door
- Unique full-length back mounted evaporator coil
- Self contained refrigeration system using R-404a refrigerant, slides out for easy servicing
- Double glazed gantry with front profile to match hot and cold food displays; available in both straight and curved glass profiles
- Complete stainless steel construction including interior surfaces in 2B finish and fridge doors with magnetic gaskets
- Supplied on 130mm removable castors for ease of cleaning (plinth mounting available)
- Adjustable micro-processor control with digital temperature display

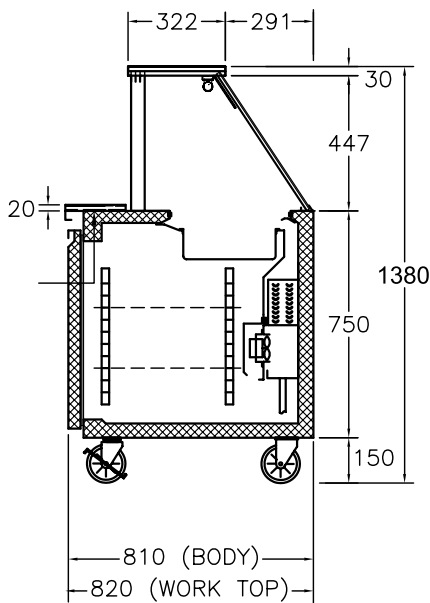


W.SMSxx

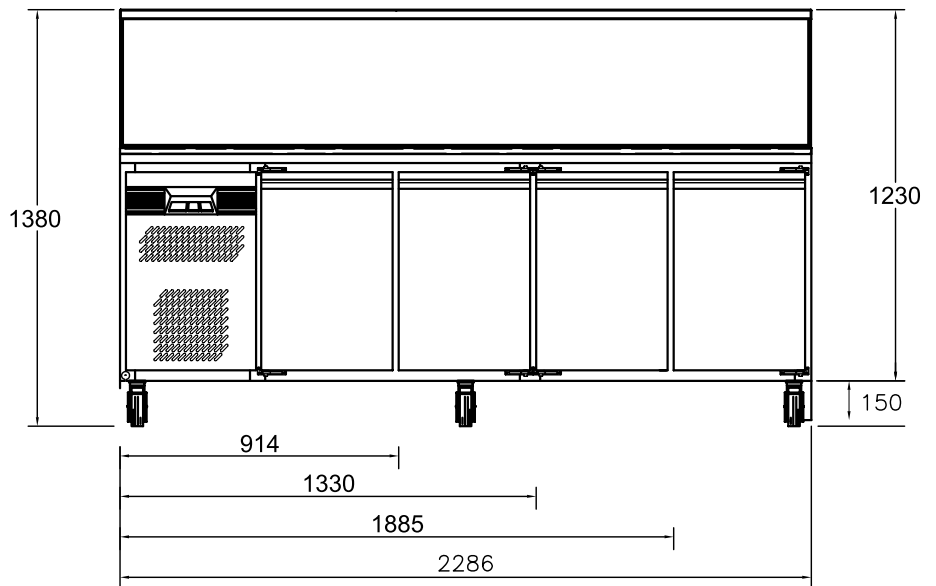


Sandwich Preparation Fridge

MODEL	DESCRIPTION	DIMENSIONS (mm) (w x d x h)	POWER
W.SMS.914	Straight glass unit - 4 x 1/3GN pans wide unit with 1 door	914 x 800 x 1380	1.0kW - 4.2 Amp
W.SMS.1330	Straight glass unit - 7 x 1/3GN pans wide unit with 2 doors	1330 x 800 x 1380	1.0kW - 4.2 Amp
W.SMS.1885	Straight glass unit - 10 x 1/3GN pans wide unit with 3 doors	1885 x 800 x 1380	1.0kW - 4.2 Amp
W.SMS.2286	Straight glass unit - 12 x 1/3GN pans wide unit with 4 doors	2286 x 800 x 1380	1.0kW - 4.2 Amp



Side View



Rear View

Dealer:

We reserve the right to alter specifications of products without notice. All dimensions are in mm.